

Fabristeel Marinator

Marinator

Marinator M



Standard Features:

- Full Stainless-Steel Construction For ease of cleaning
- Leak Proof Drum
- Easy to Operate Control
- Adjustable Timer & Auto Shut Off
- Special Design Drum Capable of marinating up to 80lbs of product each time
- Easy Removal of Marinated Product Manually
- Heavy Duty Swivel Caster with Brakes

Option & Accessories

- Non-perforated 9" Poly Meat Lug
- Perforated 9" Poly Meat Lug

Specifications

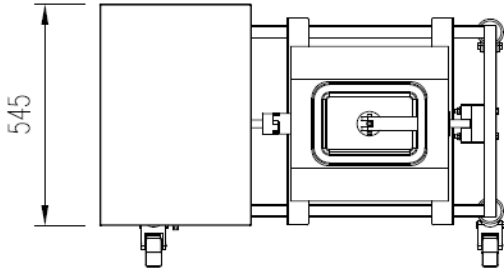
The Fabristeel Marinator is designed to produce consistent marination each time. Regardless it is frying, grilling or roasting, the Marinator will season the food as it is desired.

With the Marinator, there is no longer unsightly look or touch. Seasonings will penetrate evenly to each and every piece, giving the same results every single time.

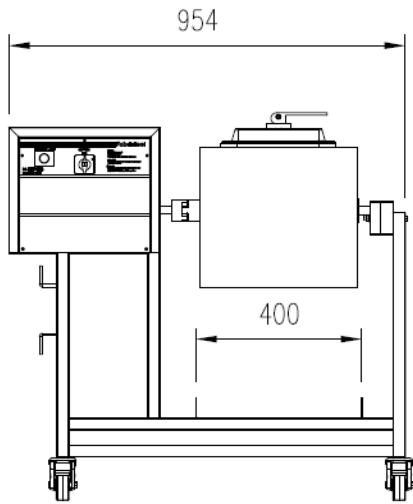
Its specially designed to house a drum large enough to hold and marinate 80lbs each time. This results in the reduction of operators fatigue and the increase in productivity meeting today's demand.



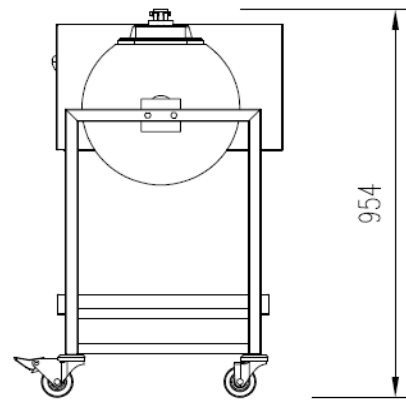
Available Models



PLAN VIEW



FRONT VIEW



SIDE VIEW

Product Model	Item Code		Dimensions			Electrical Data					Speed
	Non-CE	CE Version	Width	Depth	Height	Voltage	Hz	Phase	Wattage	Amp	RPM
M	F70-175	F70-437	954	545	954	230	50	1	370	4.2	45